

MACHINED TYPE NEEDLE ROLLER BEARINGS

With Seal, Without Inner Ring



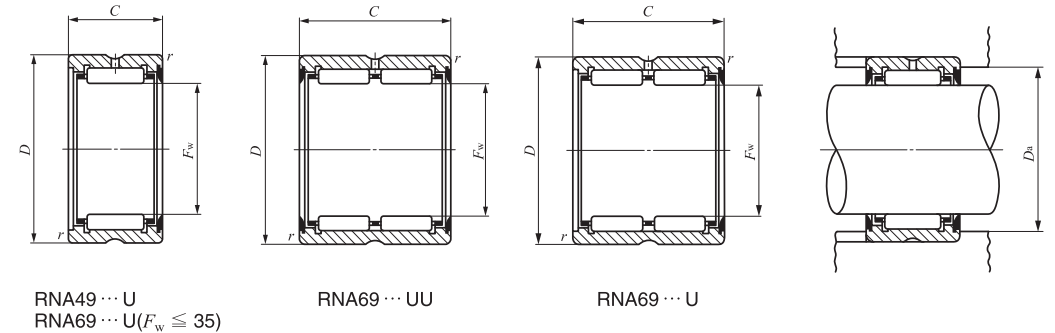
RNA49 ... UU  
RNA69 ... UU ( $F_w \leq 35$ )

Shaft dia. 14 – 45mm

| Shaft dia.<br>mm | Identification number |               |                |               | Mass<br>(Ref.)<br>g | Boundary dimensions<br>mm |     |     |                    |
|------------------|-----------------------|---------------|----------------|---------------|---------------------|---------------------------|-----|-----|--------------------|
|                  | With two seals        | With one seal | With two seals | With one seal |                     | $F_w$                     | $D$ | $C$ | $r_{s \min}^{(1)}$ |
| 14               | RNA 4900UU            | RNA 4900U     | —              | —             | 16.3                | 14                        | 22  | 13  | 0.3                |
| 16               | RNA 4901UU            | RNA 4901U     | —              | —             | 17.9                | 16                        | 24  | 13  | 0.3                |
|                  | —                     | —             | RNA 6901UU     | RNA 6901U     | 30                  | 16                        | 24  | 22  | 0.3                |
| 18               | RNA 49/14UU           | RNA 49/14U    | —              | —             | 19.7                | 18                        | 26  | 13  | 0.3                |
| 20               | RNA 4902UU            | RNA 4902U     | —              | —             | 21.5                | 20                        | 28  | 13  | 0.3                |
|                  | —                     | —             | RNA 6902UU     | RNA 6902U     | 37.5                | 20                        | 28  | 23  | 0.3                |
| 22               | RNA 4903UU            | RNA 4903U     | —              | —             | 23                  | 22                        | 30  | 13  | 0.3                |
|                  | —                     | —             | RNA 6903UU     | RNA 6903U     | 40.5                | 22                        | 30  | 23  | 0.3                |
| 25               | RNA 4904UU            | RNA 4904U     | —              | —             | 54.5                | 25                        | 37  | 17  | 0.3                |
|                  | —                     | —             | RNA 6904UU     | RNA 6904U     | 95.5                | 25                        | 37  | 30  | 0.3                |
| 28               | RNA 49/22UU           | RNA 49/22U    | —              | —             | 55.5                | 28                        | 39  | 17  | 0.3                |
|                  | —                     | —             | RNA 69/22UU    | RNA 69/22U    | 97.5                | 28                        | 39  | 30  | 0.3                |
| 30               | RNA 4905UU            | RNA 4905U     | —              | —             | 63                  | 30                        | 42  | 17  | 0.3                |
|                  | —                     | —             | RNA 6905UU     | RNA 6905U     | 111                 | 30                        | 42  | 30  | 0.3                |
| 32               | RNA 49/28UU           | RNA 49/28U    | —              | —             | 75.5                | 32                        | 45  | 17  | 0.3                |
|                  | —                     | —             | RNA 69/28UU    | RNA 69/28U    | 133                 | 32                        | 45  | 30  | 0.3                |
| 35               | RNA 4906UU            | RNA 4906U     | —              | —             | 71                  | 35                        | 47  | 17  | 0.3                |
|                  | —                     | —             | RNA 6906UU     | RNA 6906U     | 125                 | 35                        | 47  | 30  | 0.3                |
| 40               | RNA 49/32UU           | RNA 49/32U    | —              | —             | 94.5                | 40                        | 52  | 20  | 0.6                |
|                  | —                     | —             | RNA 69/32UU    | RNA 69/32U    | 170                 | 40                        | 52  | 36  | 0.6                |
| 42               | RNA 4907UU            | RNA 4907U     | —              | —             | 112                 | 42                        | 55  | 20  | 0.6                |
|                  | —                     | —             | RNA 6907UU     | RNA 6907U     | 200                 | 42                        | 55  | 36  | 0.6                |
| 45               | RNA 49/38UU           | RNA 49/38U    | —              | —             | 119                 | 45                        | 58  | 20  | 0.6                |

Notes<sup>(1)</sup> Minimum allowable value of chamfer dimension  $r$   
<sup>(2)</sup> Allowable rotational speed applies to grease lubrication.

Remarks1. The outer ring has an oil groove and an oil hole.  
 2. Bearings are provided with prepacked grease. Bearings with a seal on one side are not provided with prepacked grease. Perform proper lubrication for use.



RNA49 ... U  
RNA69 ... U ( $F_w \leq 35$ )  
 RNA69 ... UU  
 RNA69 ... U

| Standard mounting dimension<br>$D_a$<br>Max. mm | Basic dynamic load rating<br>$C$<br>N | Basic static load rating<br>$C_0$<br>N | Allowable rotational speed <sup>(2)</sup><br>$n$<br>min <sup>-1</sup> |
|---|---------------------------------------|--|---|
| 20  | 8 080                                 | 8 490                                  | 14 000  |
| 22  | 8 470                                 | 9 320                                  | 12 000  |
| 22  | 15 500                                | 20 400                                 | 12 000  |
| 24  | 9 260                                 | 10 800                                 | 11 000  |
| 26  | 9 570                                 | 11 600                                 | 9 500   |
| 26  | 18 500                                | 27 100                                 | 9 500   |
| 28  | 10 300                                | 13 100                                 | 8 500   |
| 28  | 19 800                                | 30 600                                 | 8 500   |
| 35  | 18 000                                | 20 500                                 | 7 500   |
| 35  | 33 000                                | 44 600                                 | 7 500   |
| 37  | 18 300                                | 23 700                                 | 7 000   |
| 37  | 33 800                                | 52 000                                 | 7 000   |
| 40  | 20 300                                | 25 100                                 | 6 500   |
| 40  | 39 200                                | 58 700                                 | 6 500   |
| 43  | 21 000                                | 26 800                                 | 6 000   |
| 43  | 38 900                                | 59 100                                 | 6 000   |
| 45  | 21 500                                | 28 400                                 | 5 500   |
| 45  | 40 100                                | 63 000                                 | 5 500   |
| 48  | 29 400                                | 44 200                                 | 5 000   |
| 48  | 50 300                                | 88 300                                 | 5 000   |
| 51  | 30 100                                | 46 300                                 | 4 500   |
| 51  | 51 600                                | 92 600                                 | 4 500   |
| 54  | 31 600                                | 50 400                                 | 4 000   |